

CABINET HOUSING MODIFICATION FOR MOUNTING BRACKET

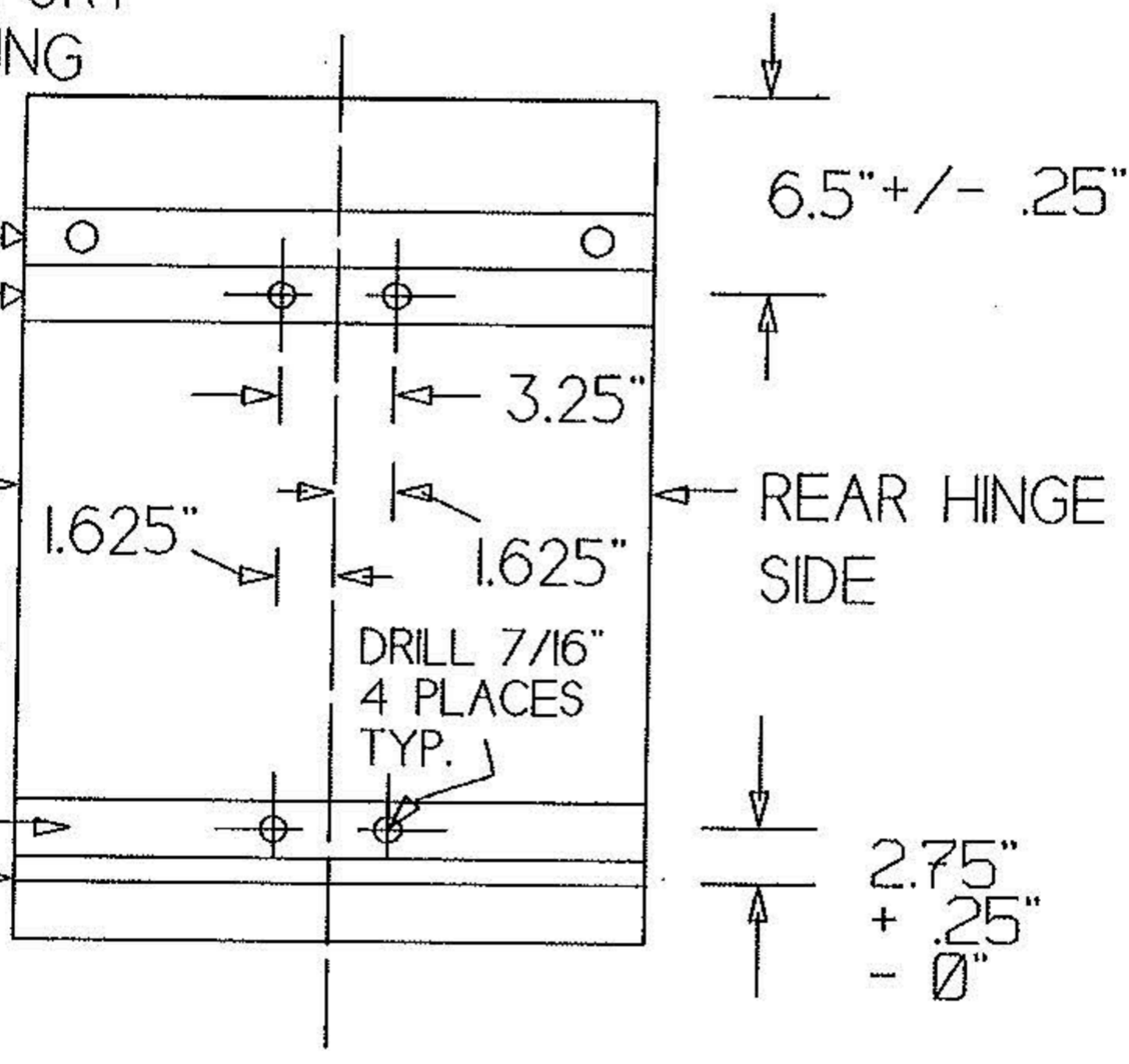
336 CABINET
REV. 3-16-06

TOP CAGE SUPPORT
AND STRENGTHING
MEMBER
1 OR 2
PARTS

FRONT HINGE
SIDE

STRENGTHING
MEMBER

BOTTOM CAGE
SUPPORT



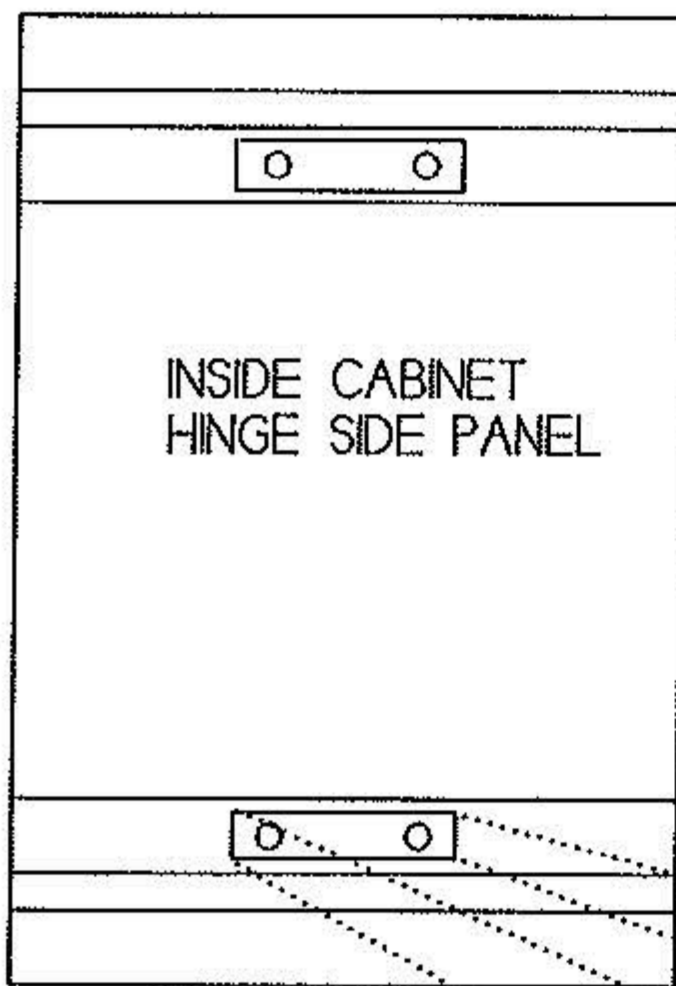
INSIDE CABINET VIEW
HINGE SIDE PANEL

NUT BLOCK DETAIL

REV. 3-15-06

FRONT VIEW

336 CAB.

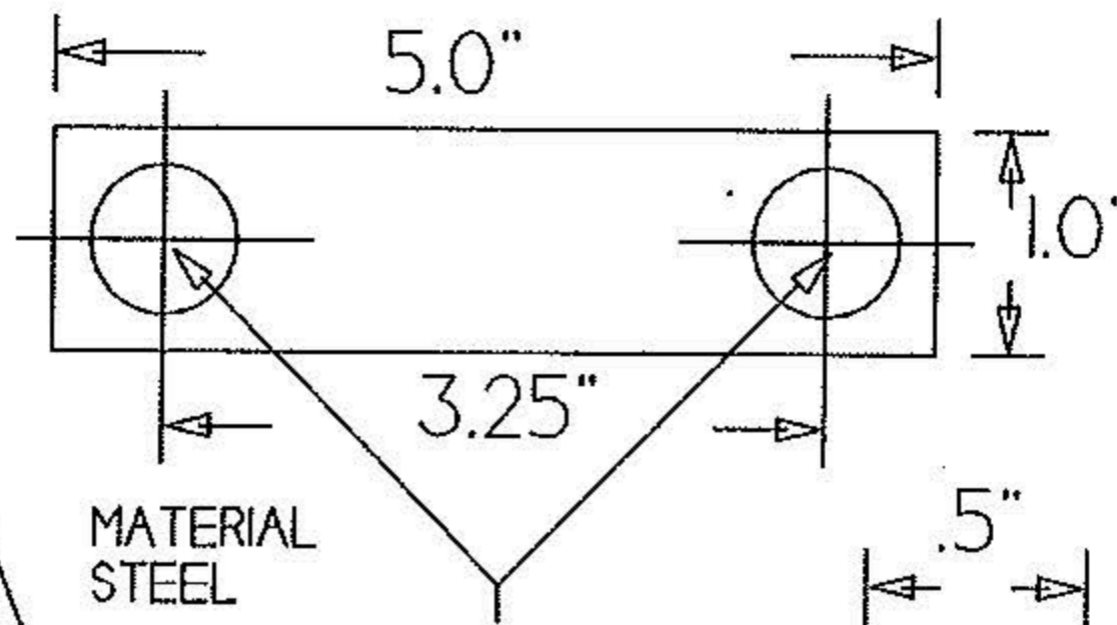


4- 3/8"
BOLTS REQUIRED

2 NUT BLOCKS REQUIRED

GLUE AND ALIGN
TO BOLT HOLES

ASSEMBLY VIEW



DRILL AND TAP FOR
3/8" - 16 X 1 1/4"
BOLT, STAINLESS
STEEL GRADE 2 OR
BETTER

